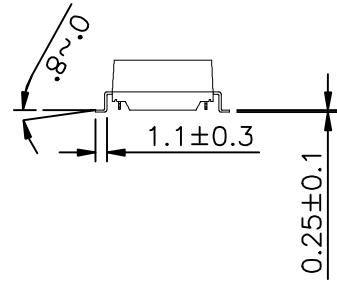


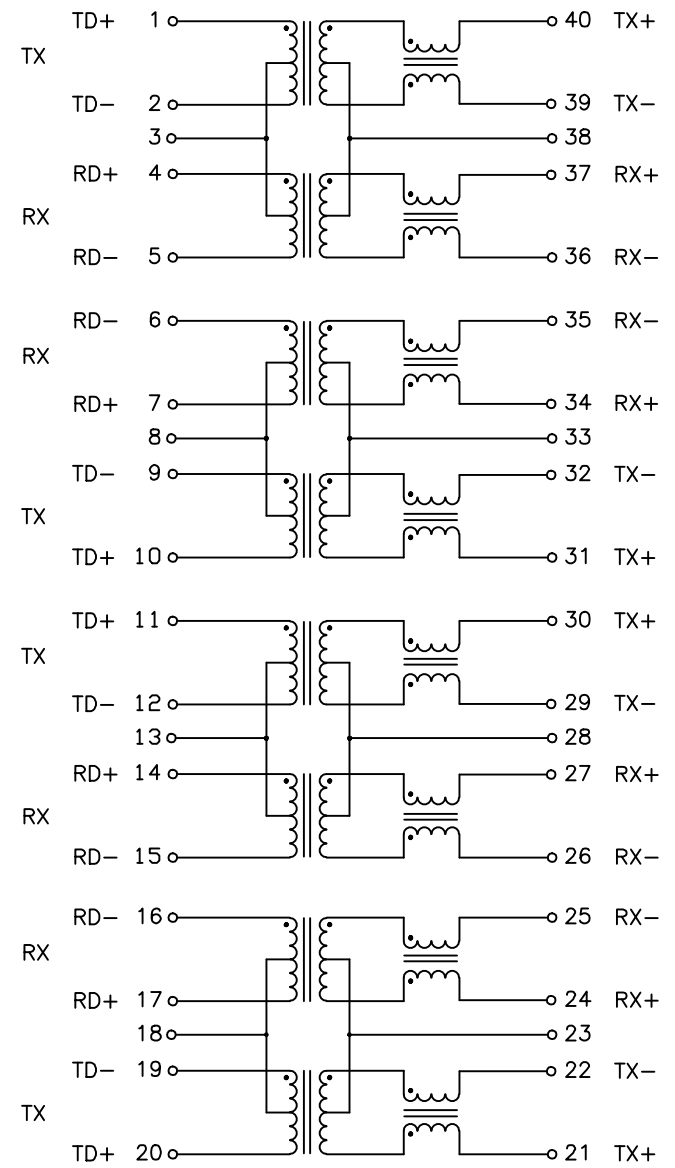
SUGGESTED PAD LAYOUT



* RoHS COMPLIANT

ELECTRICAL CHARACTERISTICS :

1. TURNS RATIO : TX/RX = 1CT : 1CT ±5%
2. PRI OCL (@100kHz/0.1V With 8mA DC Bias) : 350uH MIN.
3. INSERTION LOSS : 1-100MHz = -1.1dB MAX.
4. RETURN LOSS (@100Ω) : 1-30MHz = -18dB MIN.
40MHz = -16dB MIN.
50MHz = -14dB MIN.
60-80MHz = -12dB MIN.
5. DCMR : 1-100MHz = -30dB MIN.
6. CROSS TALK : 1-100MHz = -30dB MIN.
7. LK(@100kHz, 0.1Vrms) : 0.5uH MAX.
8. DCR : 1.2Ω MAX.
9. HI-POT : 1500Vrms, 1mA, 60SEC
10. OPERATING TEMPERATURE RANGE : -40°C~+85°C
11. STORAGE TEMPERATURE RANGE : -40°C to +125°C



								TITLE 10/100 BASE-TX TRANSFORMER	
								DWG. NO. ATPL-120TR	
RELEASE		09/10/2018	SHIRLEY	BETTY	BETTY	UNITS: M/M	SAFETY		SHEET 1 of 1
NO:	DESCRIPTION	DATE	BY	CHK	APPD	DATE	P/N:		DRAW
REVISIONS						09/10/18			SHIRLEY